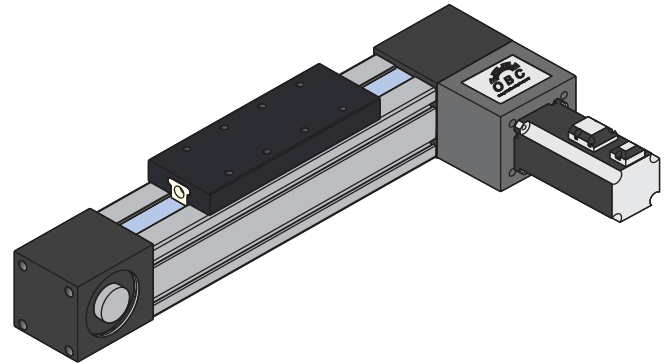
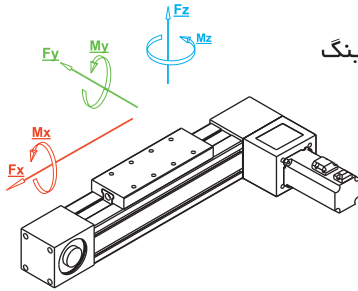


## 50\*50 T

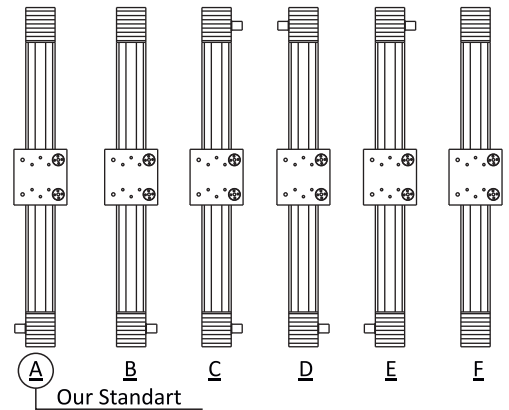
مدول های خطی با سیستم حرکتی تسمه تایمینگ



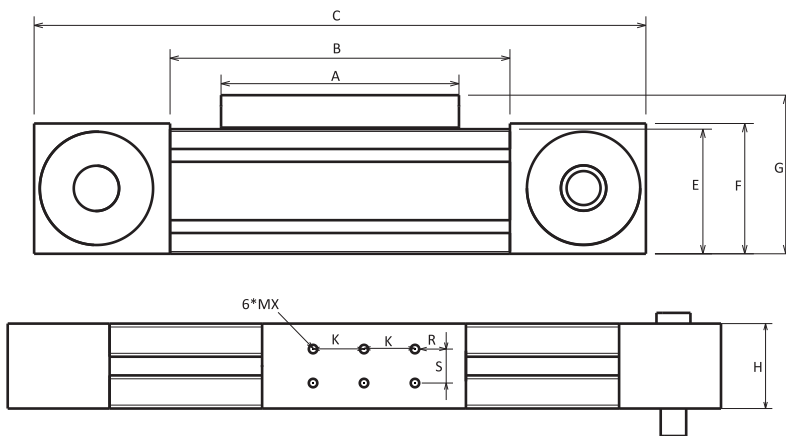
Load		Static	
<span style="color: red;">■</span>	$F_x$	(N)	350
<span style="color: green;">■</span>	$F_y$	(N)	944
<span style="color: blue;">■</span>	$F_z$	(N)	1000
Moment			
<span style="color: red;">■</span>	$M_x$	(Nm)	70
<span style="color: green;">■</span>	$M_y$	(Nm)	85
<span style="color: blue;">■</span>	$M_z$	(Nm)	80



### Drive Shaft Directions



Unit : mm



کد کالا	A	B	C	E	F	G	H	K	R	S	X	قیمت	
												دلار	تومان
50*50 T	120	300	420	50	55	65.5	50	30	30	20	5		
Body	50*50 Profile Aluminum (6063)						Linear Block		TM12NN				
Max Speed	3 m/sec						Belt Tensile Force		2000 N				
Pitch	120 mm						Belt Pitch		5 mm				
Timing Belt	5M-15						Max Length		3000 mm				
Timing Pulley	24-5M-15						Positioning accuracy		0,01 mm				